

# Glove Box : SUS150 Series



3A Instrument Co., Ltd.

for control environment with close system.

These basic compact Dry glove boxes provide low-humidity, low-oxygen Free controlled environment when used with Close system . Includes inlet-outlet gas port for inert gas condition testing . ***Glove boxes are ideal choice for laboratory testing cost system in such industries as Laboratory , Research Testing , pharmaceutical , Cosmetic , Semiconductor , Batteries , Electronic , Solar cell and University research.*** Dry Glove Box system designed for easy transfer of samples and close system for dry glove box.

## Features:

- 304 Stainless steel thickness 2.0 mm. Tilt-up front window clear Acrylic thickness 12 mm with large opening. Safety with shock-up
- can be cleaning inside system with the inert gas port.
- Two glove port diameter 200 mm.
- Dry glove boxes provide low-humidity, controlled environment when used with Close system.
- Glove Box design for negative pressure and positive pressure testing.
- Pass box allow convenient sample parts transfer.



## Application

- Close system testing for Laboratories of pharmaceuticals, Biological, Chemical.
- Weighing samples of moisture sensitive drug powders.
- Experiments that require low-humidity conditions.
- Operation of various instruments requiring environmental control, Equipment Enclosure.
- **Anaerobic Test Glove Box.**
- **Negative or positive pressure glove box.**
- **Vacuum Glove box.**
- **Dry Glove Box for control system.**
- **Benchtop Glove Box for control Environment Equipment Enclosure.**
- **Gas control system nitrogen purge for low –humidity.**
- **Temperature and Humidity control.**
- **Programmable process Controller Temperature and Humidity ..**
- **Basic Research Glove Box.**



## Basic Glove Box

- Dry glove boxes provide low-humidity, controlled environment when used with Close system.
- Glove Box design for negative pressure and positive pressure testing.
- Environment Equipment Enclosure for application Microscope , Balance.



## Pass Box

- The AIR BOX is Accessories transfer samples into the glove box Size
- W350 x D350 x H350 mm. Side open window. The 300 x 300 mm. opening allows for parts to be easily placed inside the glove box with door slide.
- Gas (N<sub>2</sub>, O<sub>2</sub>, or Air) in port Push-to Connect fitting and gas-out bleeding valve. Flow meter for gas control system. Glove port with O-Ring 1 Set (2 pcs)



## Chamber

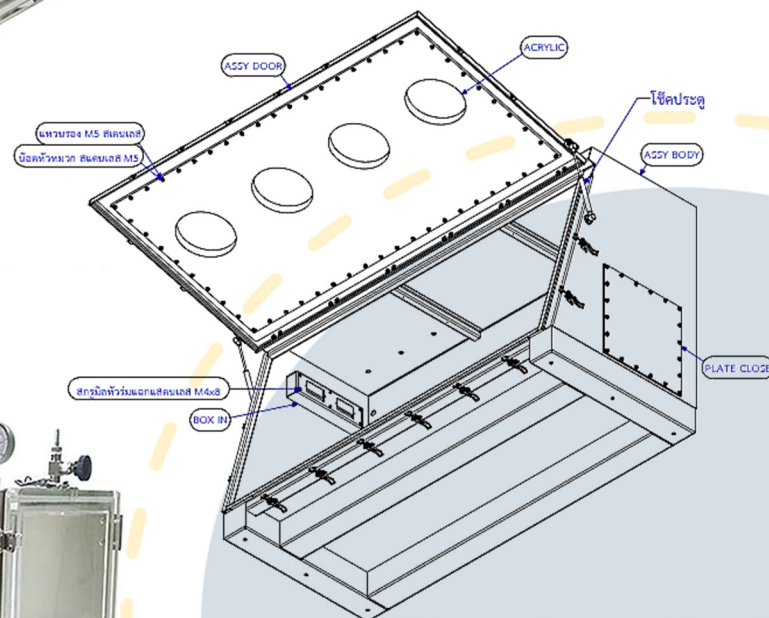
- Easy open and operate system .
- Glove Port ID 200 mm for use Long gloves Diameter 220 mm, Length 800 mm.
- Gloves Box Model SUS150-3125 PLUS With ... is special system. There are 2 systems, namely the system that filters clean air (Can choose filters to the needs of the work) and automatic systems that control the temperature and humidity inside the gloves box. .
- Gas ( N<sub>2</sub>, O<sub>2</sub>, or Air ) in port Push-to Connect fitting and gas-out bleeding valve. Flow meter for gas control system. Glove port with O-Ring 2 pcs.
- Side open door for transfer sample . Size 300 x 300 mm. opening allows for parts to be easily placed inside the glove box with door slide.

# Picture System

Easy Maintenance and Testing

## Main Chamber

- Close system testing for Laboratories of pharmaceutical, Biological, Chemical.
  - Weighing samples of moisture sensitive drug powders.
  - Experiments that require low- humidity conditions.
- Operation of various instrument requiring environmental control, Equipment Enclosure.



# Specifications:



3A Instrument Co., Ltd.

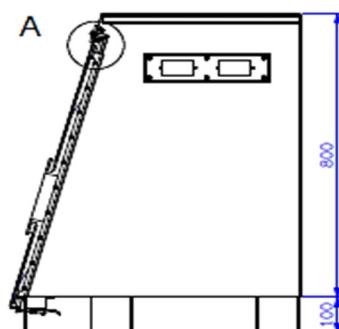
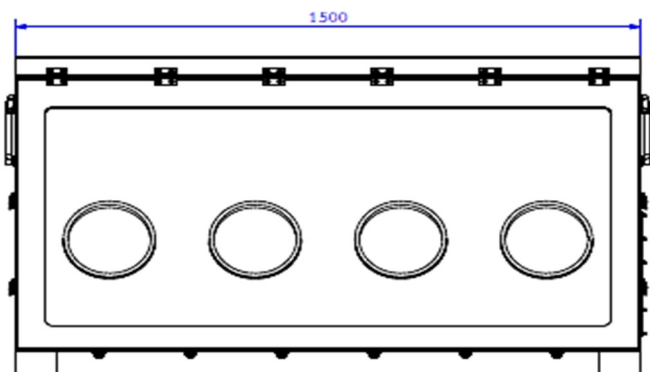
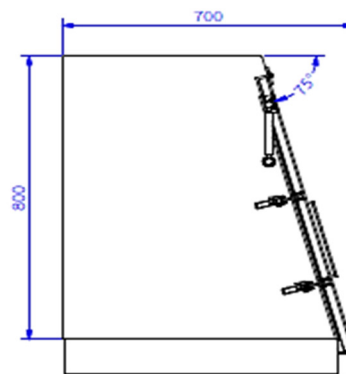
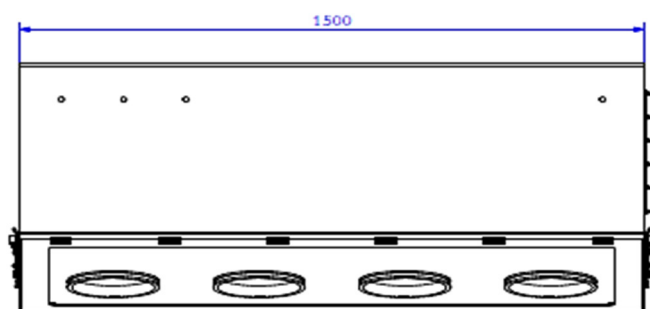
Model	SUS150-30	SUS150-31	SUS150-3123	SUS150-3124	SUS150-3125	SUS150-3126	SUS150-3127	SUS150-3128	SUS150-3129
Material Stainless Steel SUS304.	Stainless Steel SUS304								
Material SUS304 Thickness :	Thickness 2 mm								
External Dimensions (Main Chamber)	W 1500 x D 700 x H 800 mm.								
Working Area Dimensions	W 1500 x D 700 x H 800 mm.								
Lighting 15 W .	Yes.								
<b>Gas Port</b> : for inert gas such as nitrogen, argon, air, etc.	Yes. (4 pcs.)								
Analog Pressure Gauge : 0-1 bar	Yes.								
<b>Door open big side</b> : form Acrylic Material Thickness 12 mm .	W 1300 x D 600 mm.								
<b>Glove Port Diamention</b>	(4 pcs) ID 200 mm								
<b>Pass Box</b> for sample transfer : - <b>Size</b> : W350 x D350 x H350 mm - Inlet/Outlet Gas Port , 2 pcs - Analog Pressure 0-1 bar, 1 pcs	-	Yes.	Yes.	Yes.	Yes.	Yes.	Yes.	Yes.	Yes. 2 set
<b>Carbon Filter</b> with Blower	-	-	Yes.	-	-	-	-	-	-
<b>Hepa Filter</b> with Blower	-	-	-	Yes.	-	-	-	-	-
Auto Dry for low humidity	-	-	-	-	Yes.	-	-	-	-
De-Humidity Control with Blower	-	-	-	-	-	Yes	-	-	-
Temperature & De-humidity Control - Thermoelectric Cooler - Anti-Condensation Heater - Dehumidifier	-	-	-	-	-	-	Yes	-	-
Programmable process <b>Controller</b> - Control Temperature step - Dehumidity Control	-	-	-	-	-	-	-	Yes 99 step	-
PLC Controller	-	-	-	-	-	-	-	-	Yes.
O <sub>2</sub> Purification units.	Options.								
Power Socket : 20V,50-60 Hz,	Yes. (2 Channel.)								
Gloves:Port ID 220 mm,Length	Yes. (Options) Material : Natural Rubber /Neoprene/CSM/BHP/PUR/EPDM								

# Drawing dimensions

Easy Maintenance and Testing

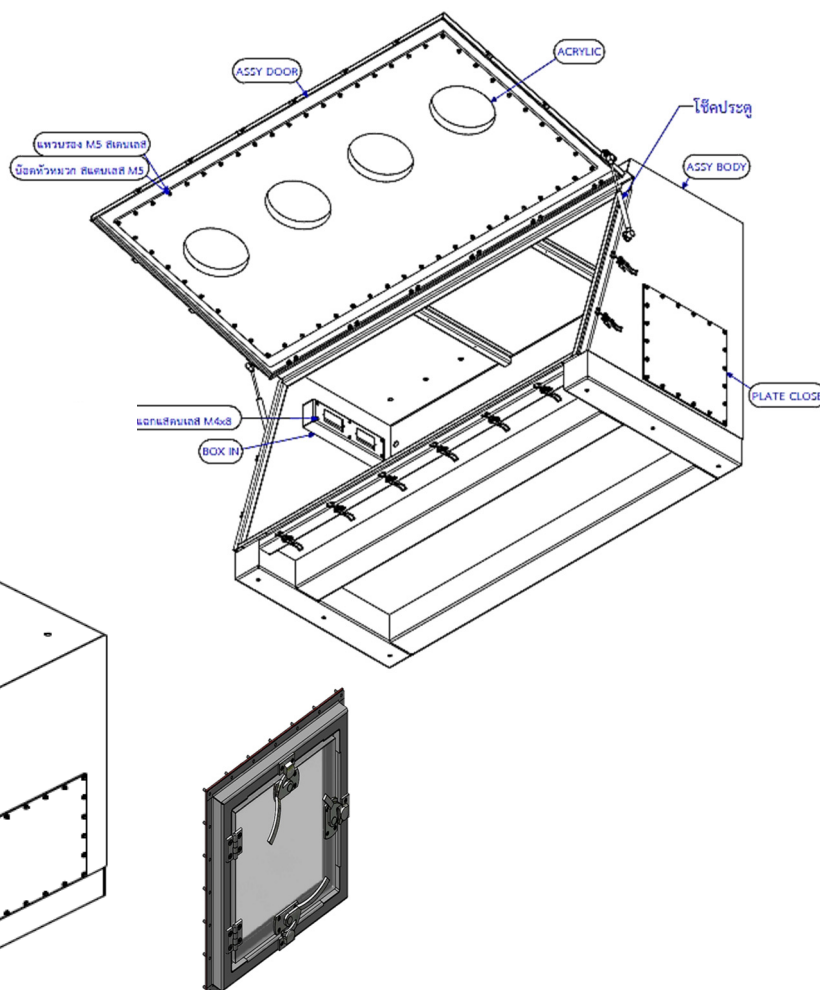
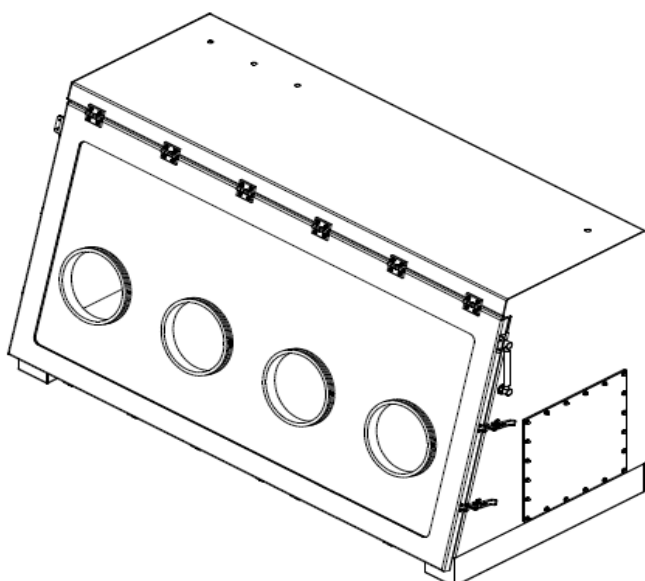


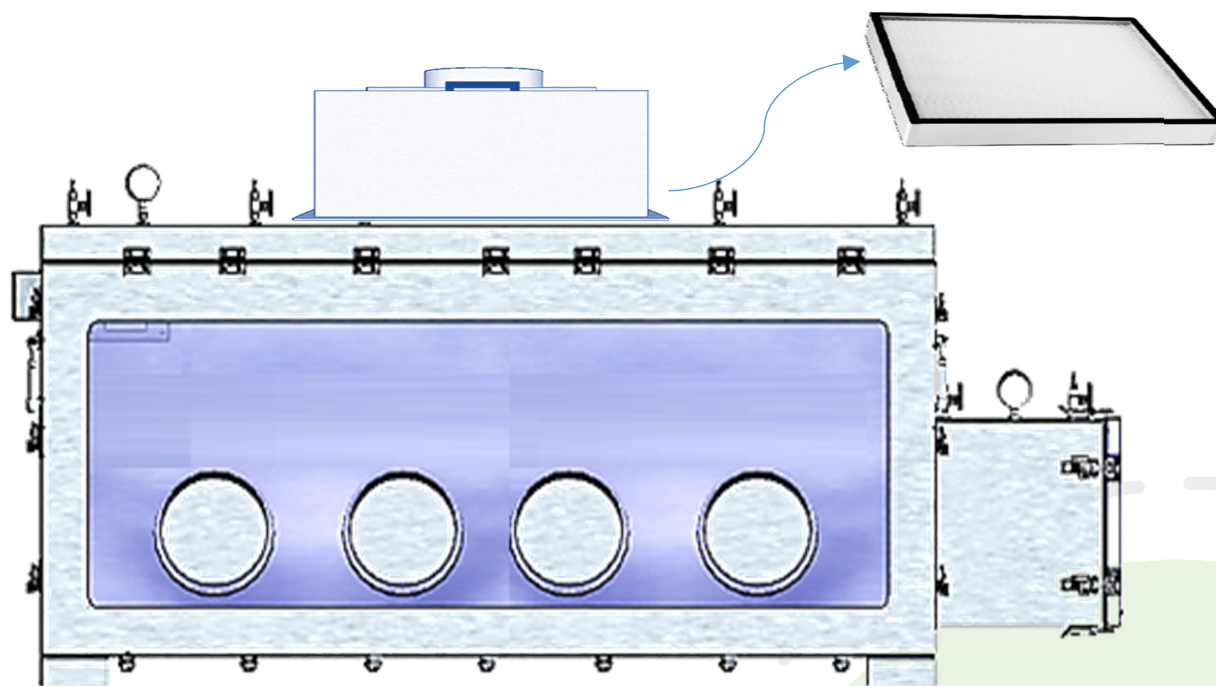
3A Instrument Co., Ltd.



## Main Chamber

- External Chamber Dimension :  
W 1500 x D 800 x H 700 mm.
- Working Area Dimension :  
W 1500 x D 800 x H 700 mm.
- Main Chamber : Stainless Steel  
Thickness : 2 mm
- Open Door internal Dimension  
: 1100 x 600 mm.

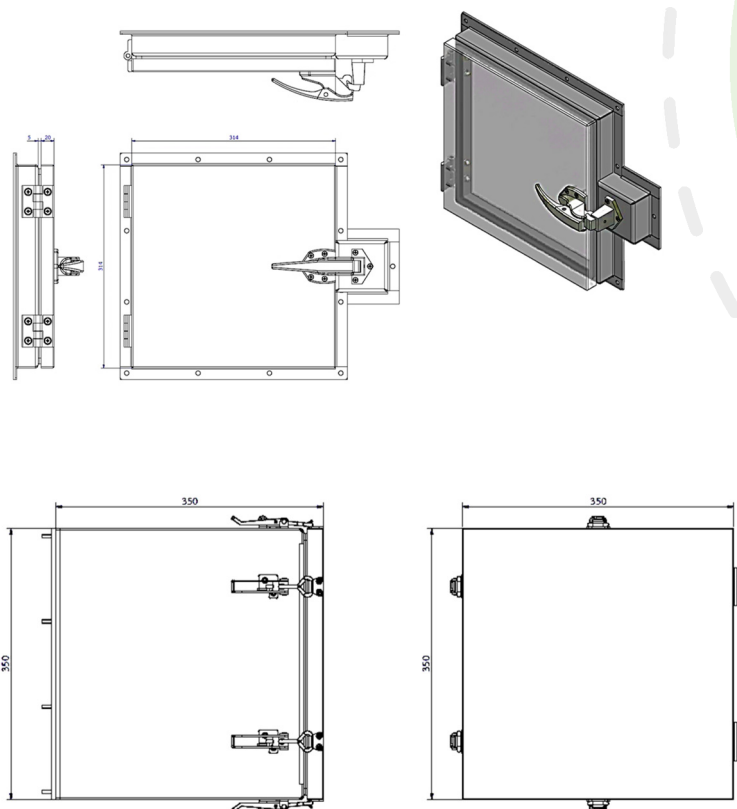




## Hepa Filter

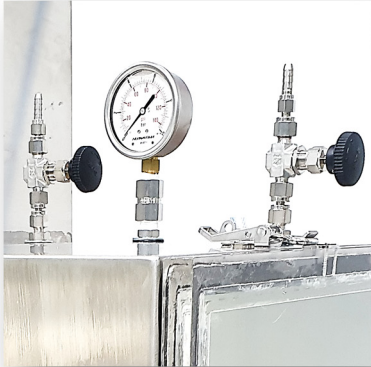
- HEPA-Filtered with blower Glove Boxes have inlet and outlet HEPA filters and provide barrier to protect the operator from hazardous airborne particulates and powders.
- Carbon filter with Blower Glove Box Helps prevent dust and chemicals.

## Door Open Transfer sample



## Pass Box

- Door Clear Acrylic : thickness 25 mm.
- External Dimension : 350 x 350 x 350 mm.
- Chamber Stainless steel 304
- Open Door internal Dimension : 300 x 300 mm.
- Inlet/Outlet for inert gas Port 2 pcs.



Molecular sieve



Humidity Temperature Datalogger



POME Glove Port



Gloves for ISOLATOR Piercan FRANCE



Oil Free Laboratory Chemical Resistant Vacuum



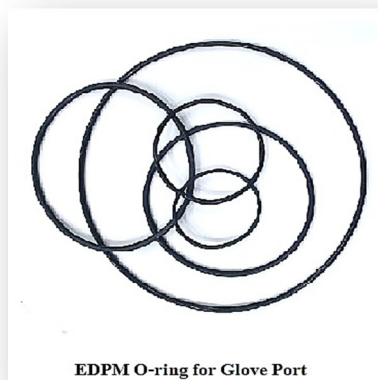
EDPM O-ring for Glove Port



Air to air thermoelectric Cooler



Vacubrand MZ 2C NT 1.2CFM Chemistry Diaphragm Pump 110V - Chemical Resistance



Digital Temperature Controller

# Technical Dry Gloves for Glove Box

Technical Material gloves for all industrial and laboratory testing.



**PIERCAN** Glove is high quality product form France. The range of gloves that PIERCAN offers is very wide, comprising dry box gloves, sleeve, and isolator glove.



## CSM

### Chlorosulfonated Polyethylene glove (CSM).

- Resistance to ozone, UV and Sterilizing agents (VHP\*).
- Excellent mechanical properties.
- Resistance to ionizing radiation and sterilizing process (Gamma and Beta Radiation).

VHP\* (Vaporous hydrogen peroxide)



## Black EPDM

### Ethylene Propylene Diene Monomer glove.

- Antistatic
- Excellent Flexibility and dexterity.
- Excellent chemical properties, good mechanical properties.
- Composition in accordance with the FDA positive list (CFR 21 § 177. 2600).
- Resistance to AUTOCLAVE, GAMMA & VHP Sterilization 75 cycles of 30 minutes at 121 °C.



## Natural Rubber

### Natural rubber glove (polyisoprene)

- Excellent flexibility and dexterity
- Good resistance to alcohols, reducing acids and diluted bases.



# DRY GLOVE

for the Pharmaceutical and Cosmetics manufacturing.



## Neoprene

### Polychloroprene glove

- Good mechanical properties.
- Good general resistance to chemical products.
- Very good resistance to sterilisation agents (hydrogen peroxide) and radiation sterilisation (Gamma and Beta rays).
- Good technical and cost-effective compromise
- Self-extinguishing.



## POLYURETHANE

### POLYURETHANE glove

- Excellent mechanical properties (punctures, tears, abrasion)
- Highly resistant to ozone and UV rays



## POLYURETHANE / CSM

### Two layer polyurethane and chlorosulfonated polyethylene glove.

- A glove that combines mechanical properties (polyurethane) with chemical resistance (CSM)
- Good resistance to chemical sterilising agents (CSM side)
- High resistance to ozone and UV. Good resistance to ionising radiation.
- Excellent resistance to disinfectants.



## High Butyl Properties

### Polyisoprene isobutylene glove.

- Electrostatic dissipative glove in accordance with EN 16350.
- Highly impermeable to liquids and gases
- Good ability to withstand chemical products
- Highly resistant to ozone and UV rays
- Good flexibility and dexterity
- Antistatic (compliant with European standard EN 16350-2014)